

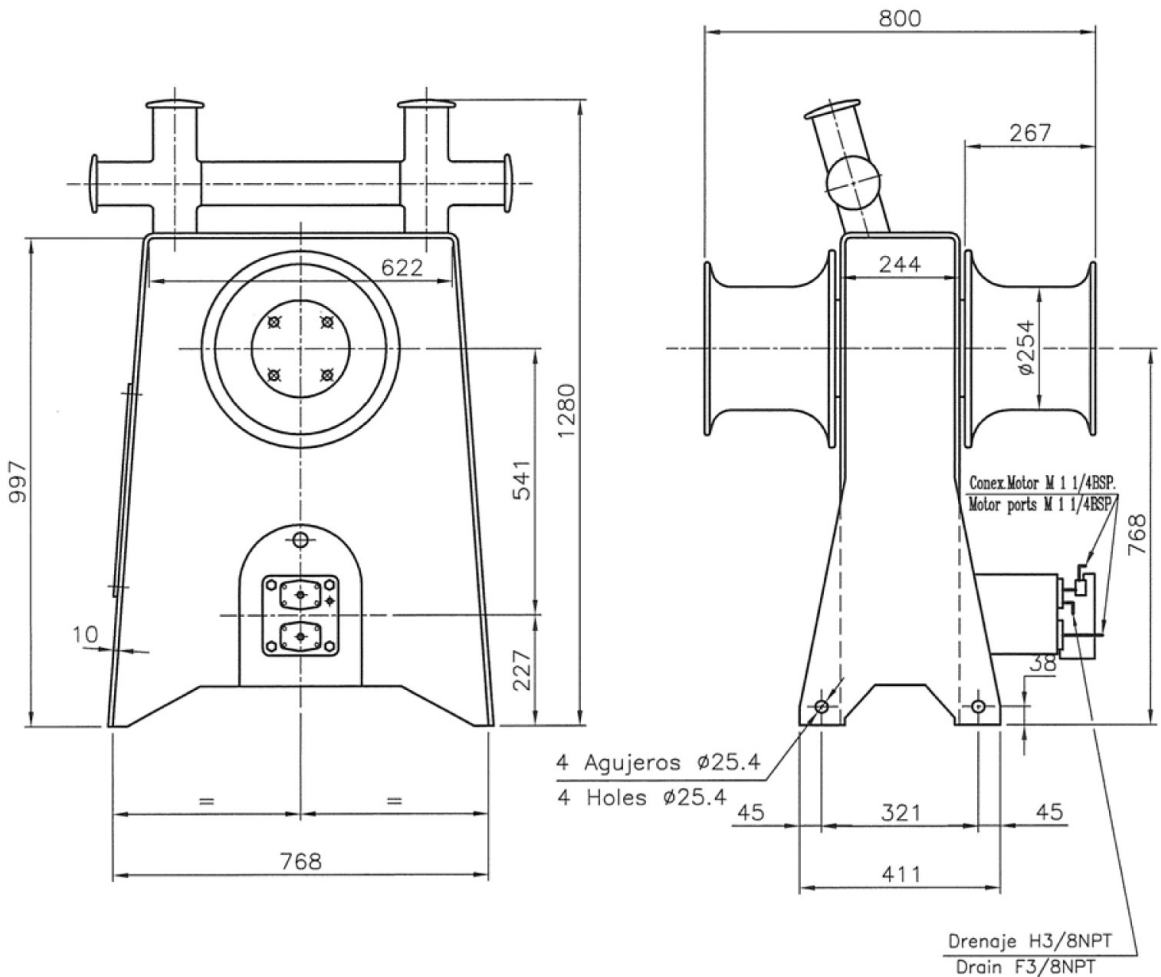
W-0332 WINCH



Brailing winch with two case-hardened steel gypsies and fair-lead roller.

- Up to 3.700 Kg (8100 lb) net pull.
- Anti-corrosion coated for marine purposes.
- Double 10" gypsy drum.
- Pre-piped motor for ease in installation.

W-0332 WINCH



SPECIFICATIONS

Hydraulic oil input: 169 LPM at 140 bar.
(45 GPM at 2030 PSI)
Line pull: 3800kg. (8400 Lb)
Line speed: 54 m/min. (176 ft/min)
Weight: 550 kg. (1200 Lb)

JESSN OCEAN GROUP LLC

Address: plaza vegas, 3305 West Spring Mountain Rd., #48
Las Vegas, Nevada 89102, USA
Http://www.jessn.com E-mail: webmaster@jessn.com

This catalogue is strictly prohibited to reproduce and recopy without our permission