

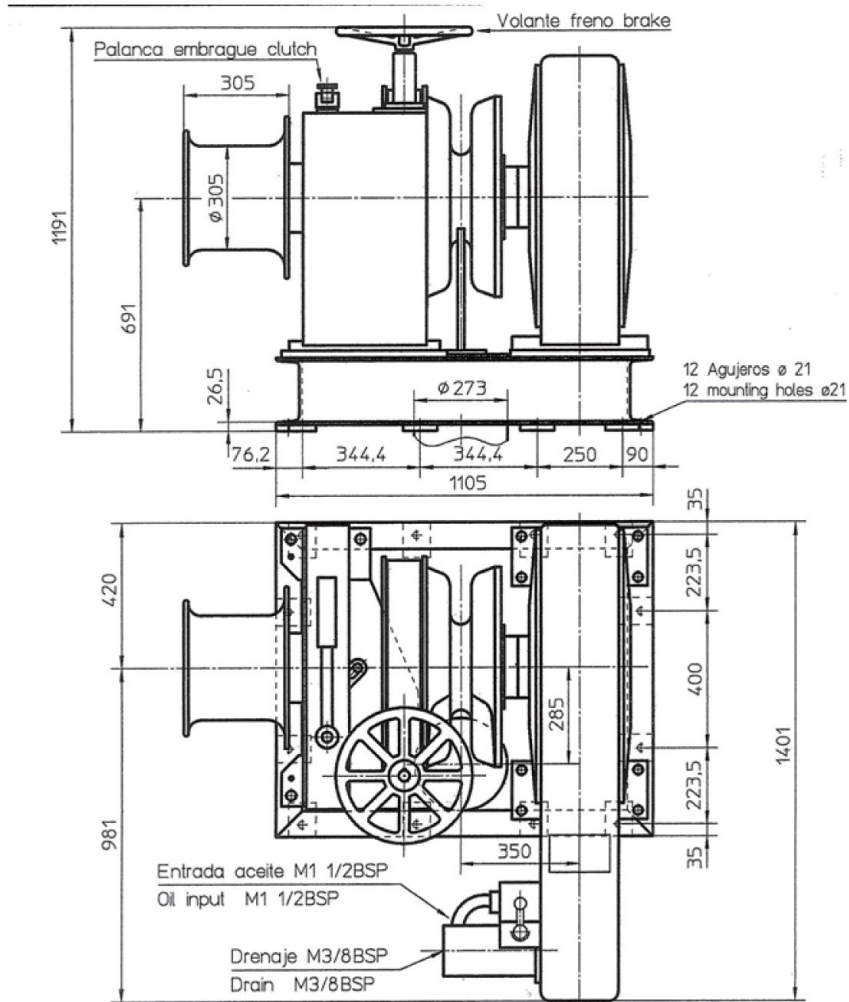
A-6224 ANCHOR WINCH



INDEPENDENT PORT SIDE AND STARBOARD SIDE ANCHOR WINCH

- Up to 13.5 metric tons chain pull.
- Local actuated brake wheel and clutch lever.
- With case-hardened steel gypsy drum.
- Anti-corrosion coated for marine purposes.
- Pre-piped motor for ease in installation.

A-6224 Anchor Winch



SPECIFICATIONS

Oil input : 212 LPM at 123 BAR (56GPM at 1800 PSI).
 Chain size: ϕ 34 to ϕ 44.
 Chain speed: 12 m/min.
 Chain pull: 13.560 kg. (30.000 lb.)
 Aprox. weight: 2200 kg. (4.900 lb.)

JESSN OCEAN GROUP LLC

Address: plaza vegas,3305 West Spring Mountain Rd.,#48
 Las Vegas,Nevada 89102,USA

Http://www.jessn.com E-mail:webmaster@jessn.com

This catalogue is strictly prohibited to reproduce and recopy without our permission